

SLIDING GATE PRO

FRAMED PLUS



CHARACTERISTICS

- Manual access.
- 2 possible opening senses, slidable to left or right.
- Gate according to EN 13241 standards.

OPTIONS

- Posts to embed or with welded base.
- Guide rail to screw or to embed.
- Gate without lock.
- Posts with covered openings in order to pass the wiring through.
- Defensive crest welded to the top frame.

STANDARD DIMENSIONS

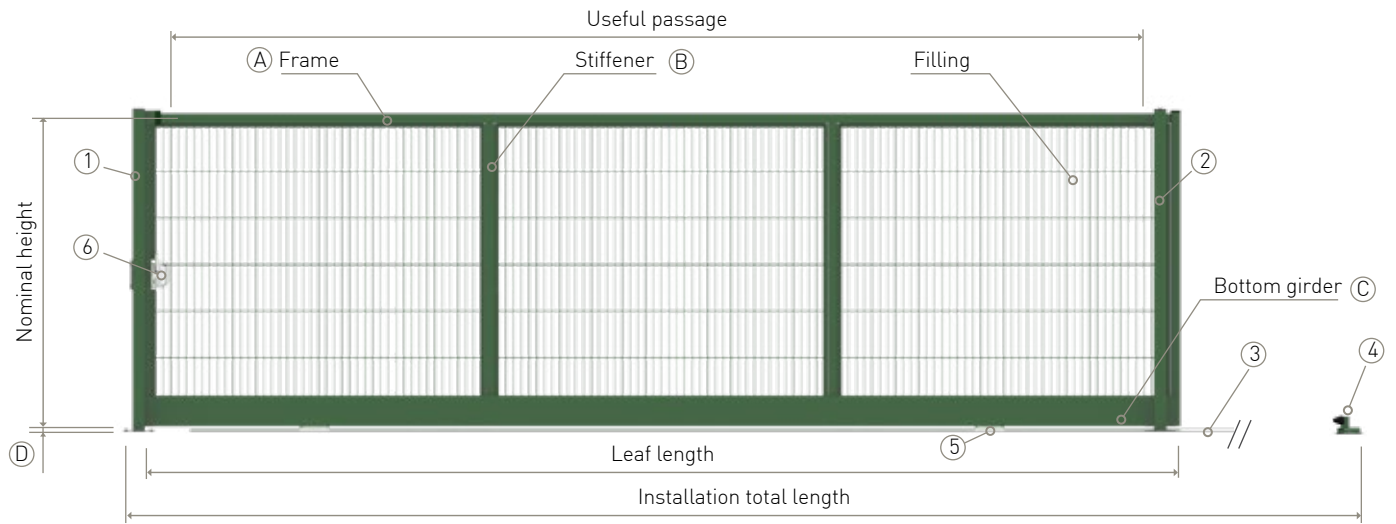
Nominal width (m)	Nominal height (m)	Leaf length (mm)	Useful passage (mm)	Guide length (mm)	Total installation length (mm)	No. of wheels	No. of stiffeners
3.0	1.2 1.5 1.7 2.0 2.2 2.5	3,680	2,837	5,400	7,200	2	1
4.0		4,680	3,837	6,900	9,200		
5.0		5,680	4,837	8,400	11,200		
6.0		6,680	5,837	9,900	13,200	4	2
7.0		7,680	6,837	11,790	15,200		
8.0		8,680	7,837	13,290	17,200		
9.0		9,680	8,837	14,790	19,200		
10.0		10,680	9,837	16,290	21,200	4	3
11.0		11,680	10,837	17,790	23,200		
12.0		12,680	11,837	19,290	25,200		

Other dimensions available upon request.

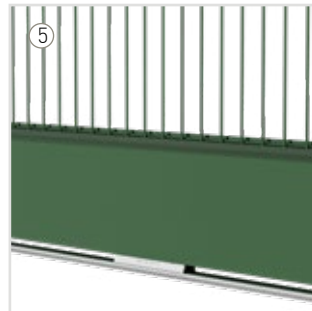
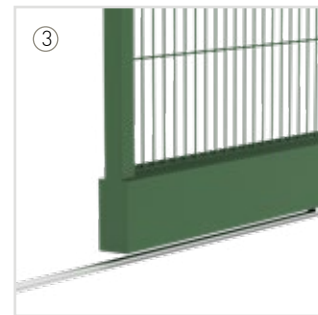
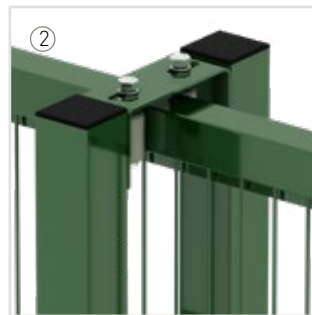
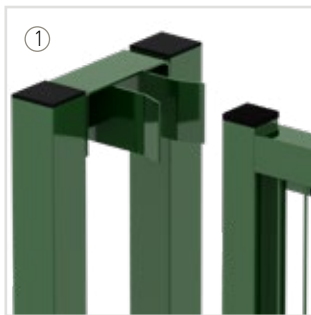
FINISHING FEATURES

- Steel galvanized sheet according to EN 10346 standards and steel galvanized wires according to EN 10244-2 standards.
- Polyester powder coating. (Amorphous phosphatation).





details



POST		
1	Closing bridge	Section: 2 posts 80x80x2.0 mm Welded base: 90x240x10 mm Gate receiver
2	Guide bridge*	Section: 2 posts 80x80x2.0 mm Welded base: 90x240x10 mm Nylon rollers

OTHERS		
3	Guide rail	U-shaped Ø 20 mm
4	Stop	Rubber stop

* For bigger passages or with strong wind, it is recommended a second post at 1,20 m from the first one. The opening width will be reduced.

filling

Mesh: 300 x 50 mm.
Horizontal wire: Ø6.0. Vertical wire: Ø5.0 mm.

HOJA		
A	Frame	Ancho de paso de 3 a 8 m: 60x60x2,0 mm
B	Stiffener	Ancho de paso de 9 a 12 m: 80x60x2,0 mm
C	Bottom girder	Sección: 200x100x3,0 mm (Para altura 2,5 m: 1 perfil extra de 100x60x2,0mm)
D	Distancia al suelo	37 mm
5	Ruedas	Rueda Ø120 mm de acero galvanizado Ranura en U de Ø20 mm
6	Cerradura locinox®	Cilindro europeo de 15 Mecanismo inoxidable